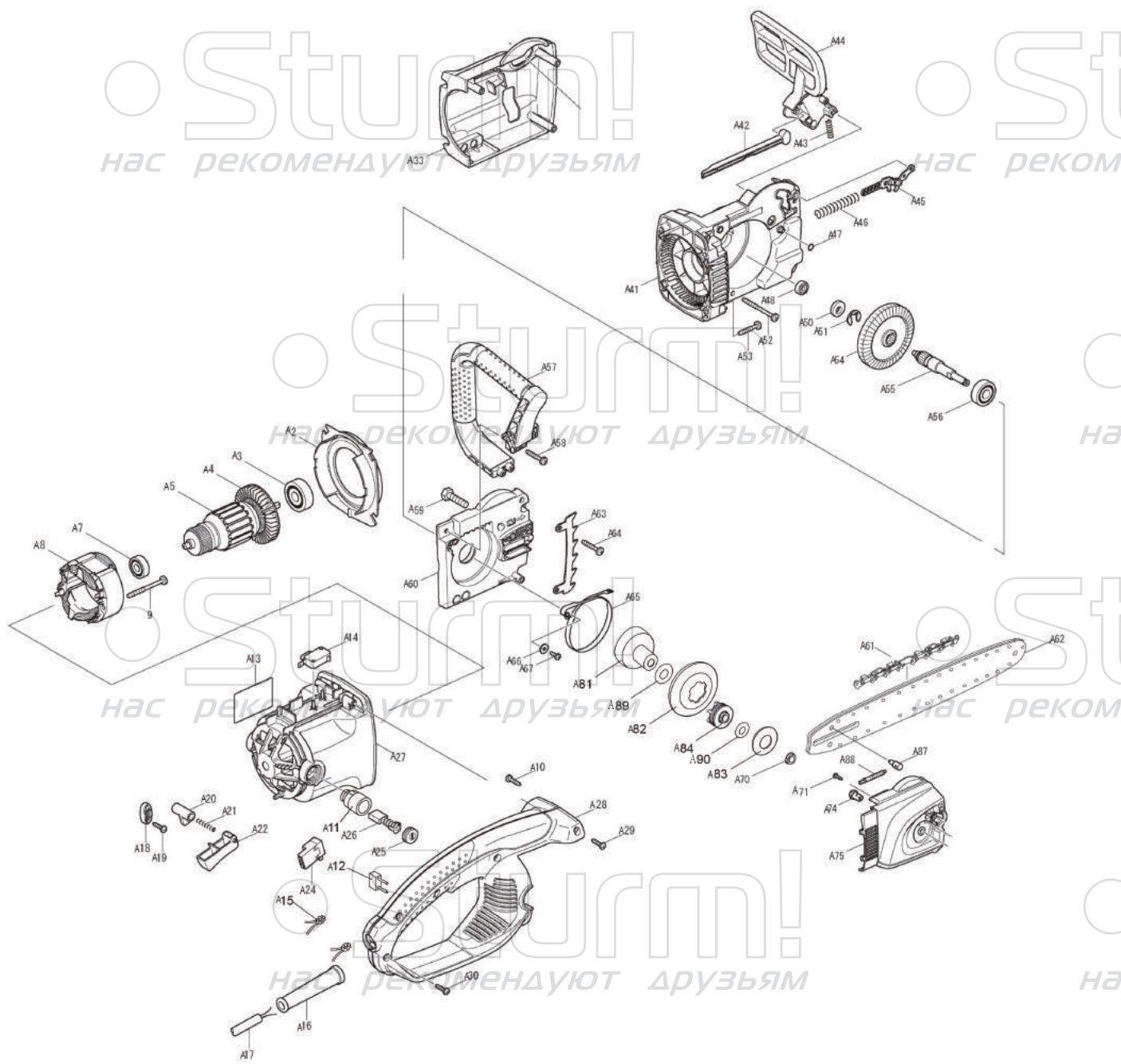


CC9922



NO.	DESCRIPTION	NO.	DESCRIPTION
A2	BAFFLE PLATE	A47	O RING
A3	BALL BEARING 6003RS	A48	BALL BEARING 6001RS
A4	FAN	A50	CAM
A5	ROTOR	A51	REATINING RING
A7	BALL BEARING 6200	A52	TAPPING SCREW
A8	STATOR	A53	TAPPING SCREW
A9	TAPPING SCREW	A54	STRAIGHT BEVEL GEAR
A10	TAPPING SCREW	A55	SPINDLE
A11	BRUSH HOLDEN	A56	BALL BEARING 6201Z
A12	CAPACITOR	A57	FRONT HAND
A13	NAME PLATE	A58	TAPPING SCREW
A14	SWITCH 1	A59	HEX BOLT
A15	INDUCTANCE	A60	BEARING HOUSING
A16	CORD GUARD	A61	SAW CHAIN
A17	CORD & PLUG	A62	GUIDE BAR
A18	CORD CLAMP	A63	SPIKE BUMPER
A19	TAPPING SCREW	A64	TAPPING SCREW
A20	LOCK-OFF BUTTON	A65	BRAKE BAND
A21	COMPRESSION SPRING	A66	FLAT WASHER
A22	SWITCH LEVER	A67	TAPPING SCREW
A24	SWITCH 2	A70	NUT
A25	BRUSH HOLDER CAP	A71	TAPPING SCREW
A26	CARBON BRUSH	A74	SPRING
A27	MOTOR HOUSING	A75	SPROCKET COVER COMPLETE
A28	HANLDE SET	A81	CONNECT BLOCK
A29	TAPPING SCREW	A82	BRAKE DUMP
A30	TAPPING SCREW	A83	WASHER
A33	GEAR HOUSING COVER COMPLETE	A84	CHAIN WHEEL
A41	GEAR HOUSING	A87	ADJUST PIN
A42	ROD	A88	ADJUST SCREW
A43	COMPRESSION SPRING	A89	WASHER
A44	FRONT HAND GURARD	A90	WASHER
A45	LINK PLATE GUARD		
A46	COMPRESSION SPRING		

RU-ST20170608
VER:2.1

